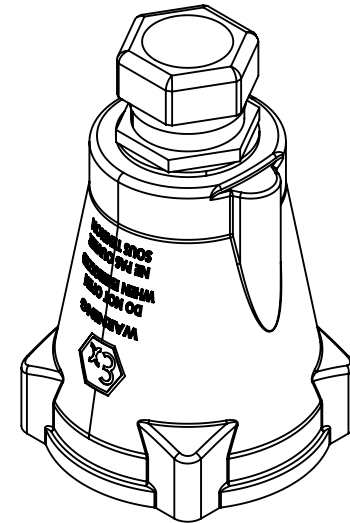
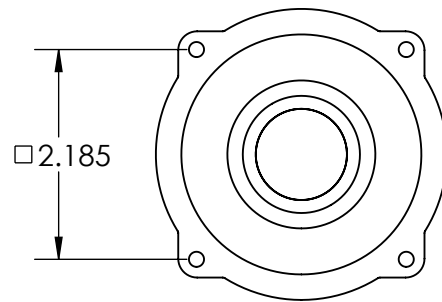
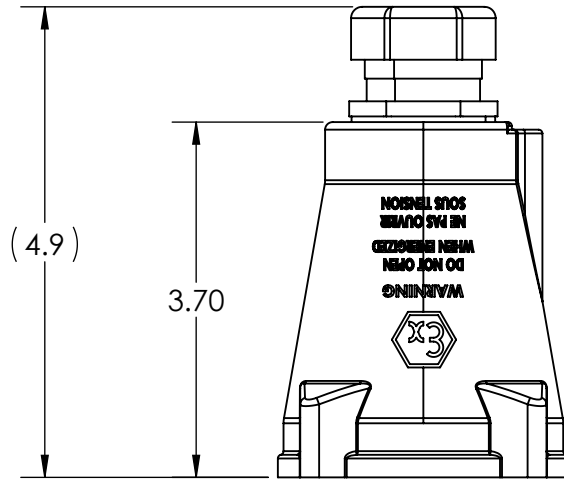
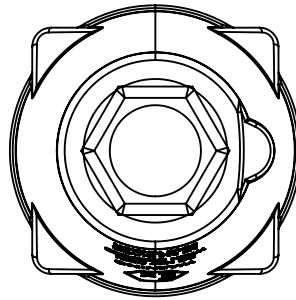


This drawing is the property of MELTRIC Corporation, Franklin (Milwaukee), Wisconsin, USA. Any unauthorized copying of this drawing by any means, ENG/RD/06 REV: 21 ISSUED DATE: 10/7/16 or disclosure of its contents to any person not authorized by MELTRIC Corporation or its agents to receive it, is strictly prohibited.



PART NUMBER	CABLE RANGE
253P0DPF	.51" TO .79"
253P0DPE	.71" TO .98"

TOLERANCES UNLESS OTHERWISE SPECIFIED		<b>MELTRIC</b> A COMPANY OF MARÉCHAL ÉLECTRIC	
MACHINED SURFACES $\sqrt[125]{\text{MAX}}$ GROUND SURFACES $\sqrt[32]{\text{MAX}}$ ANGLE TOLERANCE $\pm 1^\circ$ REMOVE BURRS & SHARP EDGES TO .015 MAX. DIMENSIONS SHOWN IN OVALS ARE INSPECTION DIMENSIONS.	<b>ENGLISH</b> 0.X $\pm 0.05$ 0.XX $\pm 0.01$ 0.XXX $\pm 0.005$	DRAWN: _____ APPROVED: _____ DATE: _____	DRAWING TITLE: <b>DXN60 POLY HANDLE WITH CORD GRIP</b> MATERIAL: <b>BLACK POLY</b>
		SHEET: 1 OF 1	PART NUMBER: <b>253P0DPx</b> REVISION: _____